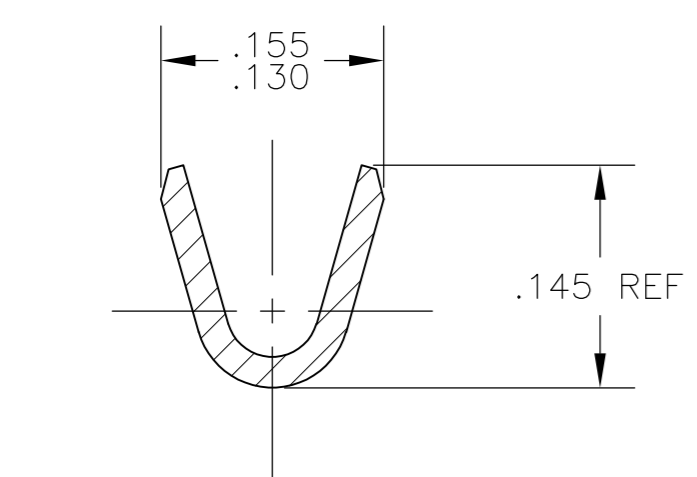
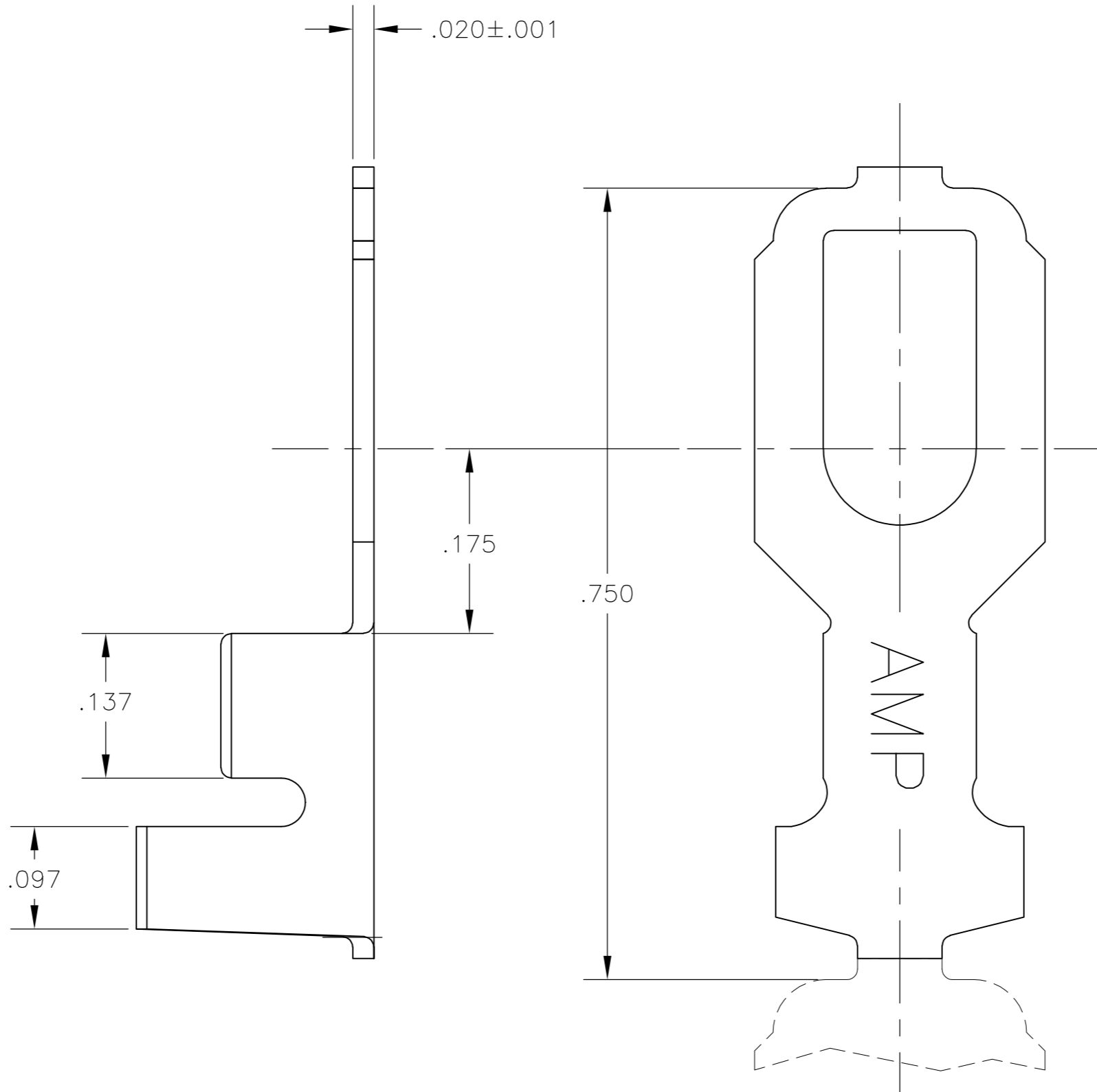
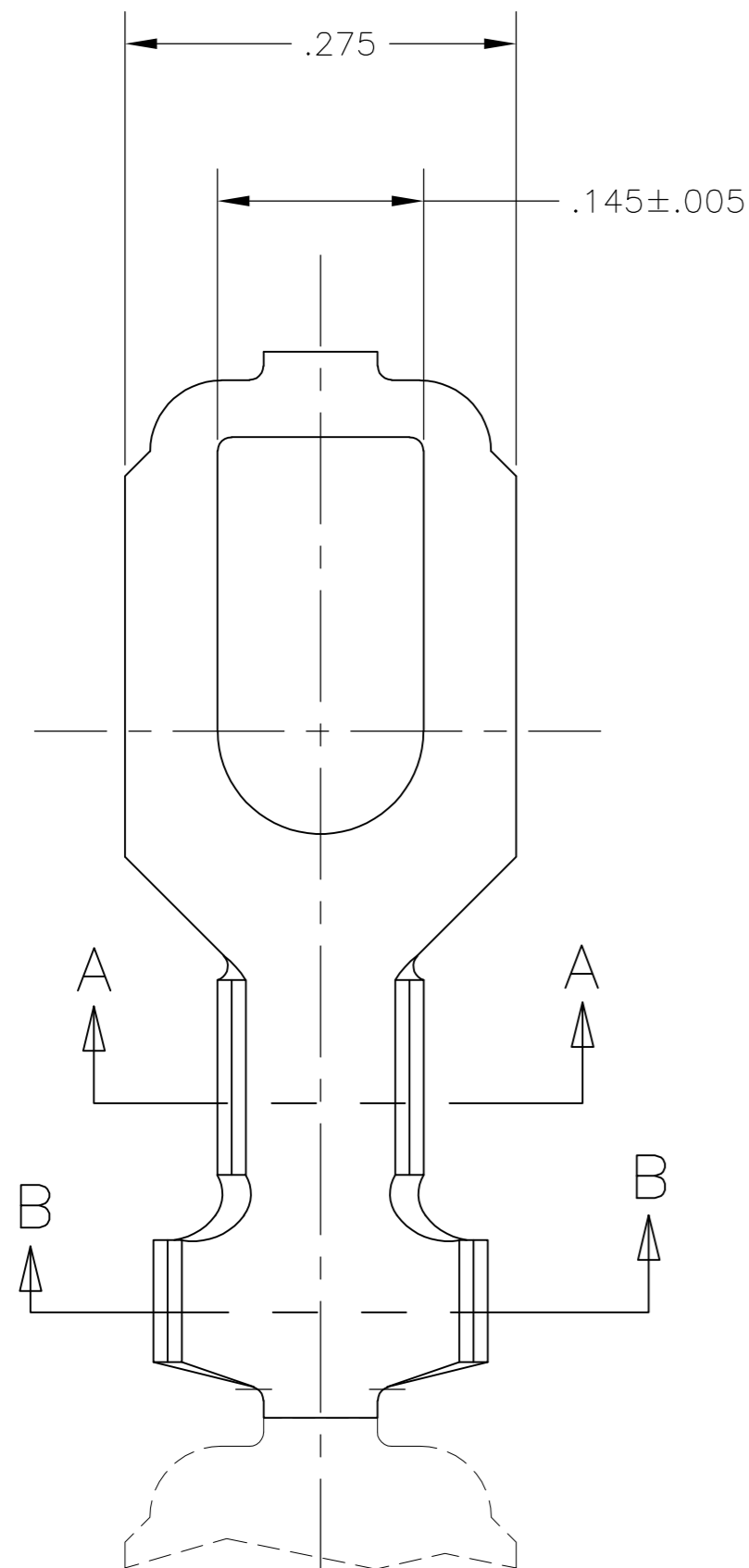


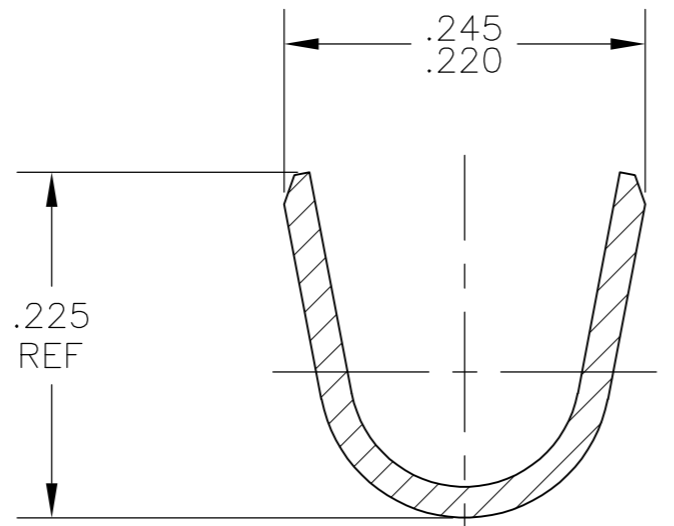
THIS DRAWING IS UNPUBLISHED. RELEASED FOR PUBLICATION
 © COPYRIGHT BY TYCO ELECTRONICS CORPORATION. ALL RIGHTS RESERVED.

LOC	DIST	REVISIONS			
P	LTR	DESCRIPTION	DATE	DWN	APVD
AF	50	G	REVISED PER ECR-10-006099	07JUL10	HMR PD

1. CONTINUOUS STRIP ON REELS.
2. WIRE SIZE: #18-#14 AWG.
3. INSULATION RANGE: .130-.180 DIA.



SECTION A-A



SECTION B-B

60725-1
 PART NUMBER

THIS DRAWING IS A CONTROLLED DOCUMENT.		DWN MICHAEL S. FEHER 20DEC2004	Tyco Electronics Corporation Harrisburg, Pa 17105-3608	
DIMENSIONS: INCHES		CHK DONALD F. DECKER 04JAN2005	NAME DONALD F. DECKER	
TOLERANCES UNLESS OTHERWISE SPECIFIED:		APVD DONALD F. DECKER 04JAN2005	PRODUCT SPEC TERMINAL, SPADE 6 STUD SIZE	
0 PLC ± - 1 PLC ± - 2 PLC ± - 3 PLC ± .010 4 PLC ± - ANGLES ± 1°		APPLICATION SPEC -	SIZE A2	RESTRICTED TO -
MATERIAL 082 BRASS	FINISH TIN	WEIGHT -	CAGE CODE 00779	DRAWING NO 60725
CUSTOMER DRAWING		SCALE 8:1	SHEET 1 OF 1	REV G